



THE AUTOMOTIVE LIGHTING BENCHMARK

INSTALL GUIDE

4BANGER U-BRACKET



PACKAGE CONTENTS



2X U-BRACKETS



2X SETS OF HARDWARE

REQUIRED TOOLS

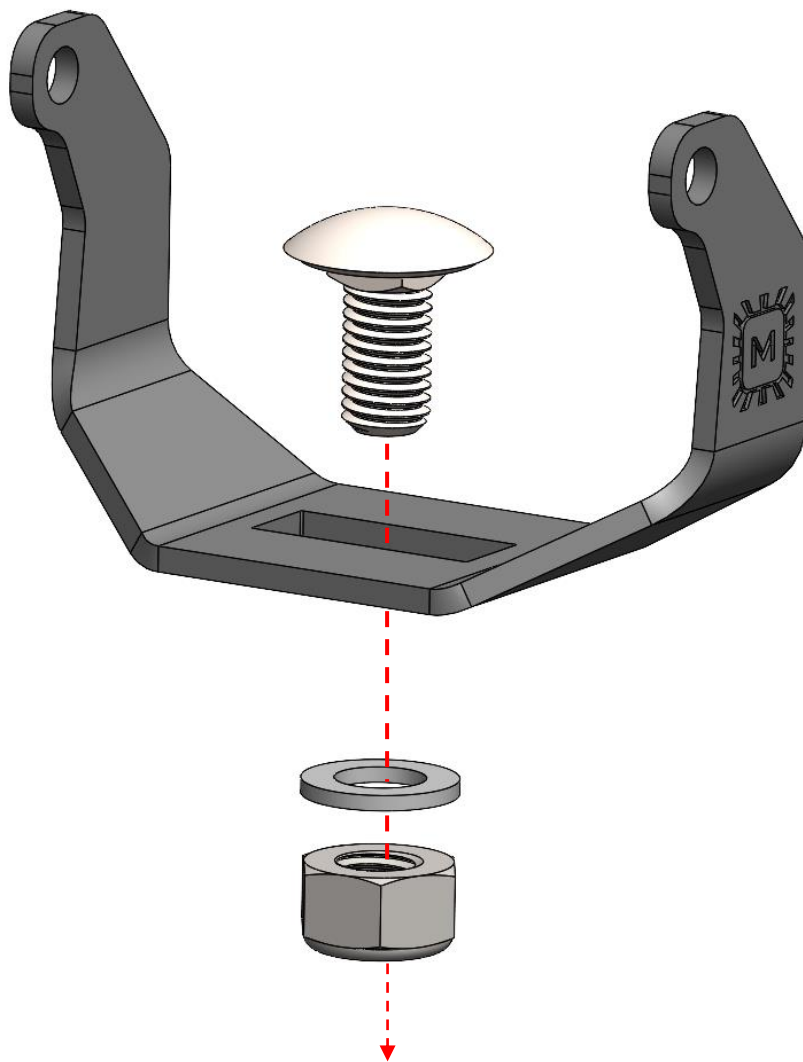
- T30 TORX DRIVER
- 17MM WRENCH

WARNING: IT IS THE INSTALLERS RESPONSIBILITY TO CONFIRM COMPLIANCE WITH STATE AND LOCAL LAWS. BY READING THIS DOCUMENT, YOU AGREE IT IS ONLY TO BE USED AS AN EDUCATIONAL GUIDE. MORIMOTO LIGHTING NOR ITS DEALERS MAKE GUARANTEES ON ANY FINISHED RESULTS, NOR ARE THEY TO BE HELD RESPONSIBLE FOR ANY DAMAGE, MISUSE, OR PERSONAL INJURIES. IF YOU ARE UNABLE TO CLEARLY UNDERSTAND AND ADAPT THE INFORMATION BELOW, PROFESSIONAL INSTALLATION IS RECOMMENDED.



4BANGER U-BRACKET

1. FIT THE CARRIAGE BOLT THROUGH THE U-BRACKET AND SECURE IT TO YOUR MOUNTING SURFACE USING THE WASHER AND 17MM LOCK NUT. LEAVE THE NUT SLIGHTLY LOOSE TO ALLOW AIMING LATER



4BANGER U-BRACKET

2. FIT THE 4BANGER POD INTO THE BRACKET AND LOOSELY INSTALL THE TWO T30 SCREWS TO HOLD IT IN PLACE
3. SET THE AIM OF YOUR POD AND TIGHTEN ALL HARDWARE IN PLACE. DO NOT OVERTIGHTEN

