



THE AUTOMOTIVE LIGHTING BENCHMARK

DOUBLE ROW LIGHT BAR FEATURING 4BANGER PODS ASSEMBLY GUIDE

WARNING: By reading this document, you agree it is only to be used as an educational guide. Morimoto Lighting nor its dealers make guarantees on any finished results, nor are they to be held responsible for any damage, misuse, or personal injuries. If you are unable to clearly understand and adapt the information below, professional installation is recommended.

PACKAGE CONTENTS



4BANGER PODS
(PRE-CONFIGURED QTY)



2X BAR END MOUNTING FEET



POD-LINK KITS
(PRE-CONFIGURED QTY)



MIDDLE SUPPORT LEG(S)
(PRE-CONFIGURED QTY)

TOOLS REQUIRED

10MM SOCKET OR WRENCH
4MM L-KEY OR DRIVER
5MM L-KEY OR DRIVER

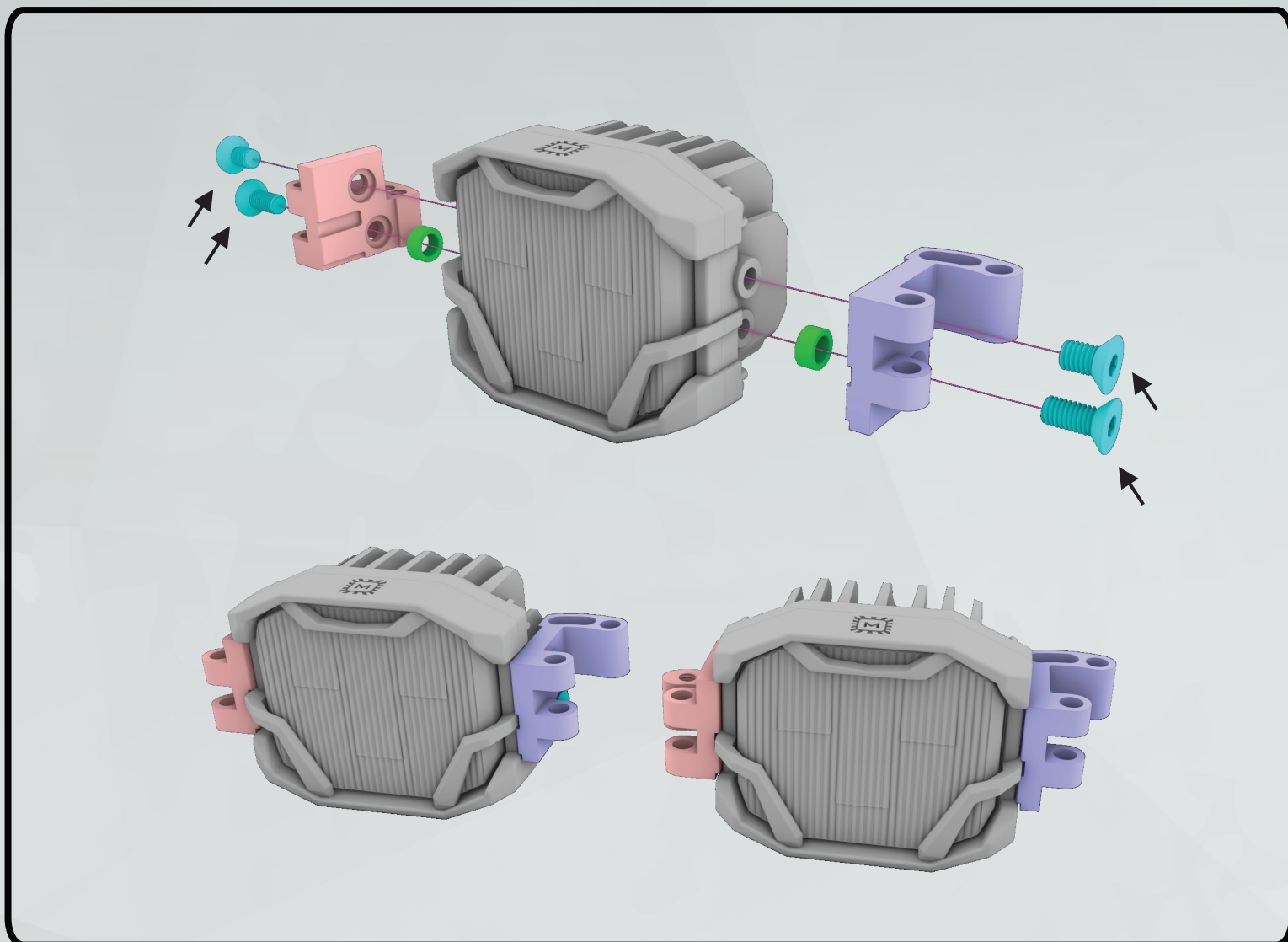
**DO NOT USE
POWER TOOLS!**

ASSEMBLY PROCESS

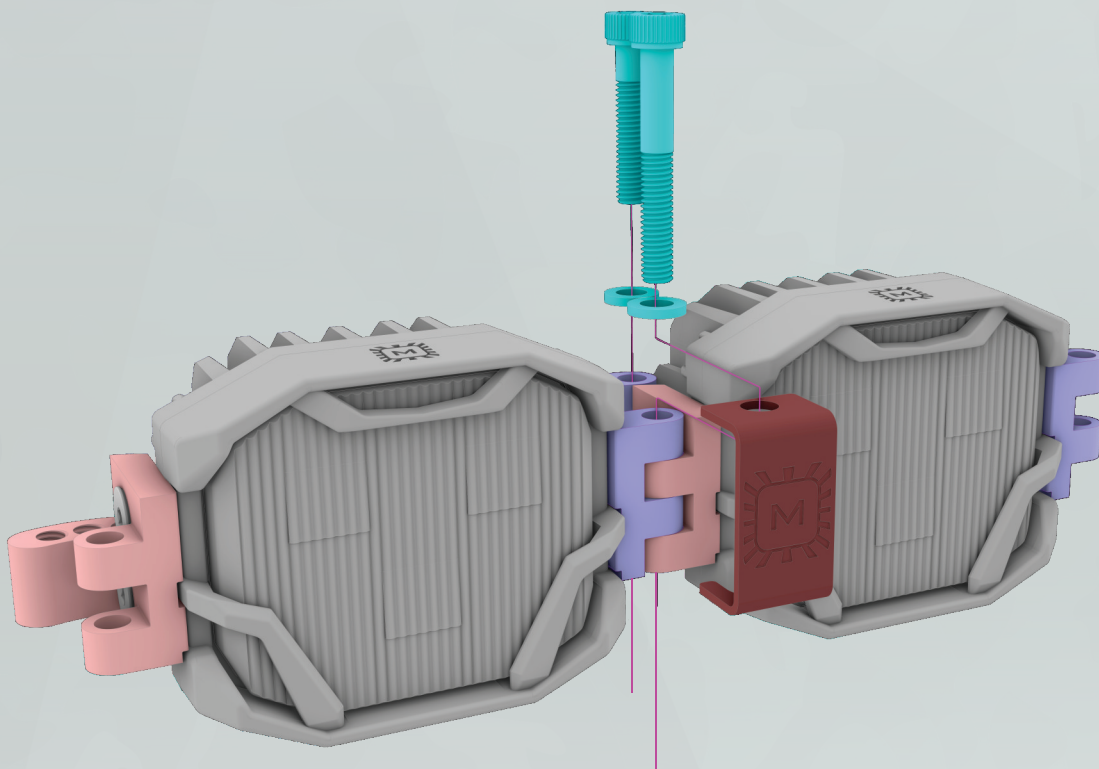
1. Begin by laying out the pods in a line to be assembled. Follow the recommended format below:



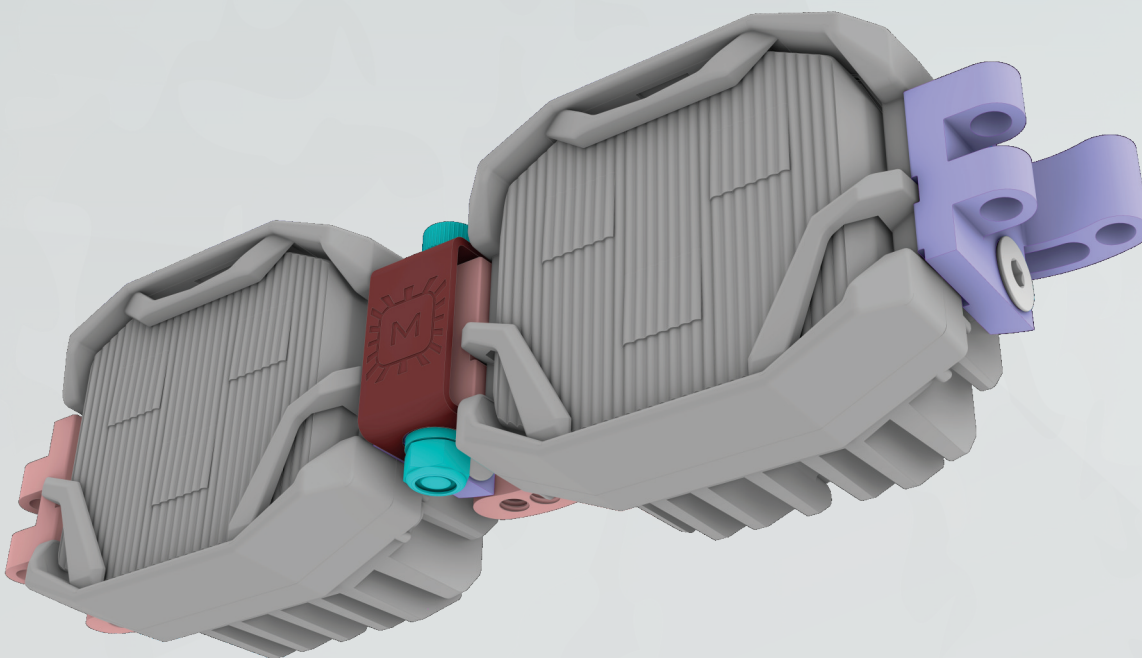
2. Fit the spacers and interlink pieces to the end of each 4Banger pod, except for the end pods. Note: these pieces are not identical. The interlink pieces shown in pink are threaded. The pieces shown in purple are not. Install and tighten the M6 flat head screws using a 4mm hex key or bit. NOTE: The bottom screws are 16mm long. The top are 10mm. Do not mix.



3. Align the endlinks of the pods. Line up the cover bracket with the front of the interlink. Place an M6 washer on an M6 x 40mm (partially-threaded) screw and place the screw through the hinge section of the assembly.

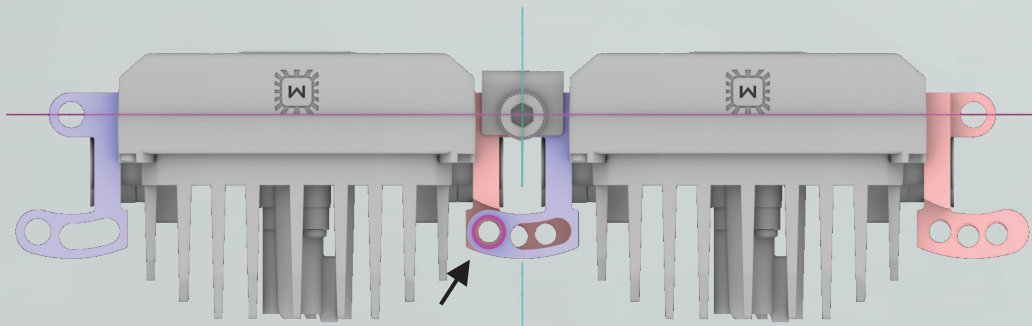


4. Add an M6 washer before fitting the M6 lock nut to the bottom. Ensure the cover bracket is kept in the correct orientation, and tighten the assembly using a 5mm hex key and 10mm socket until snug.

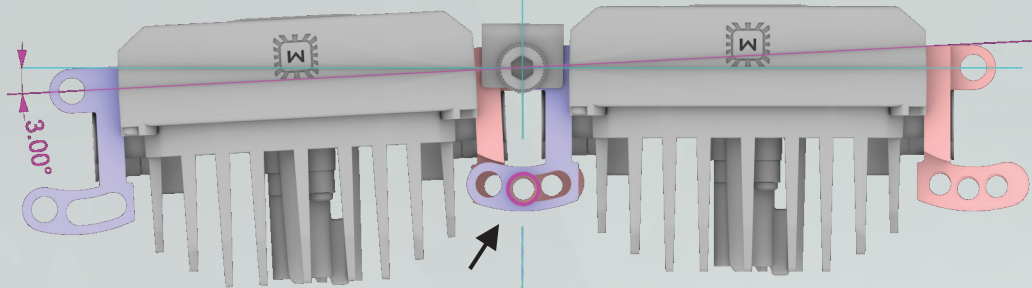


5. The curvature of the bar is controlled by the angle of the bracket assembly, and shown below. Once the curve is chosen, fit a M6 x 30mm (fully-threaded) screw with washer into the desired hole and snug up. The curve can also be adjusted at any point within the slot in the bracket. Once the correct curvature has been set, proceed with tightening all M5 bolts. It is helpful to lay the bar flat on a work bench when tightening to ensure the bar is secured in a horizontal line.

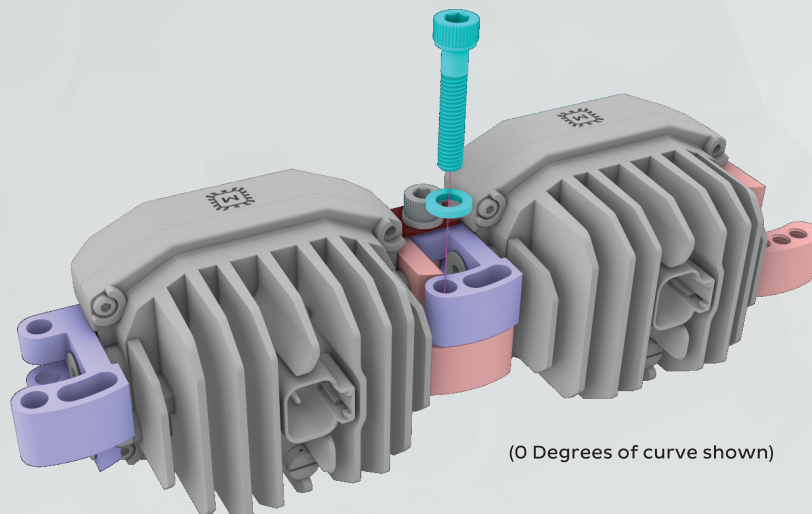
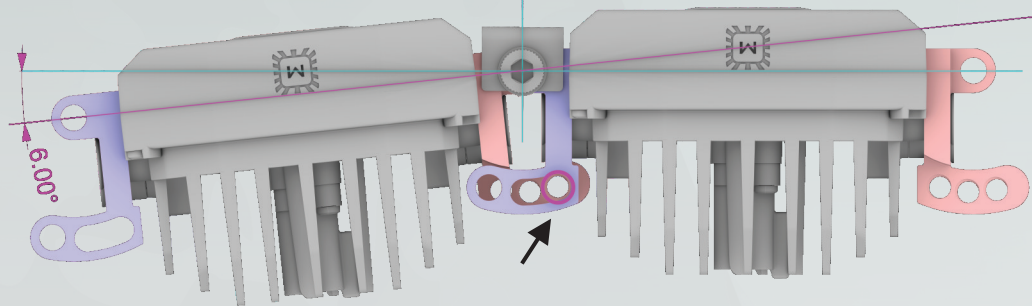
0 Degrees



3 Degrees

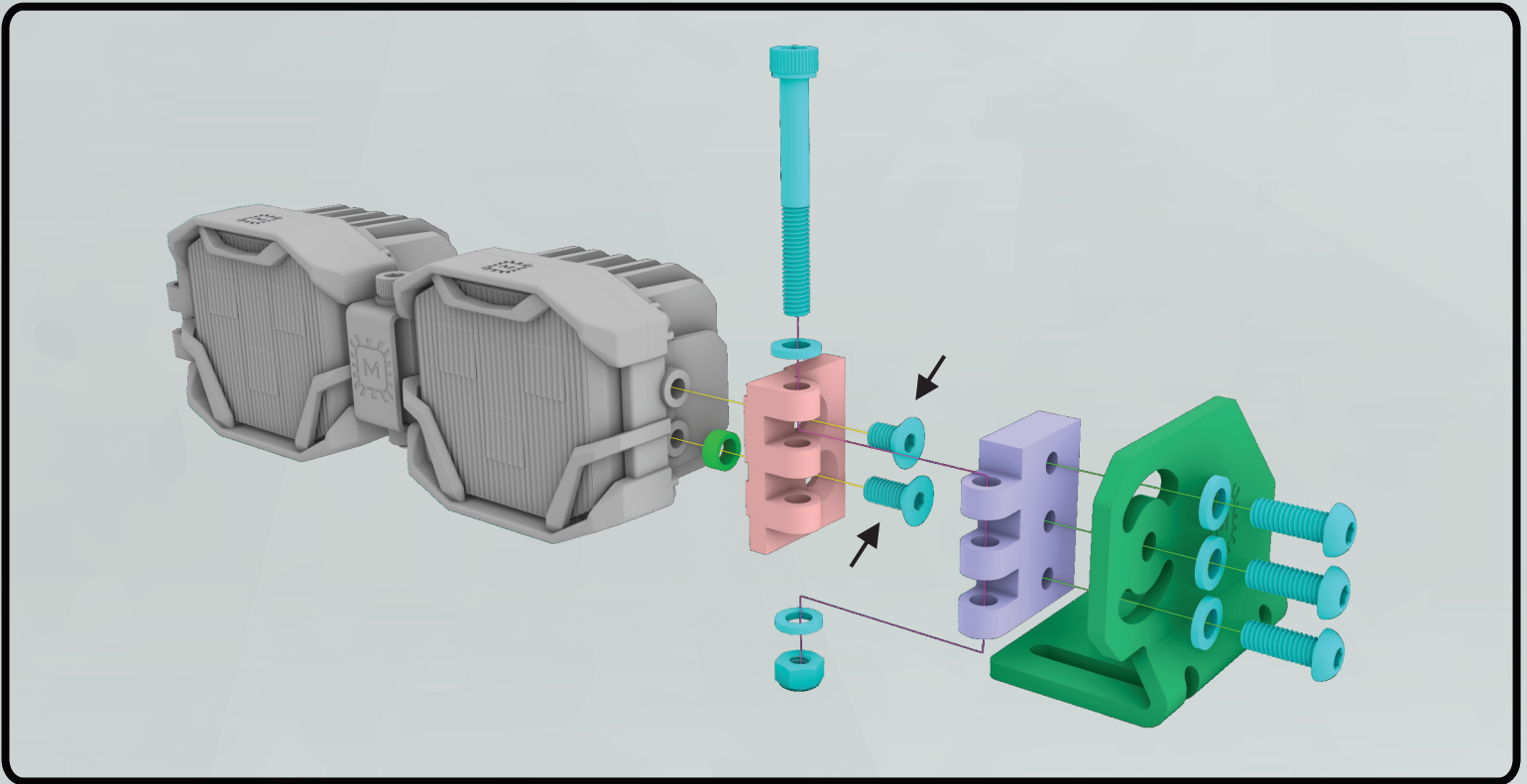


6 Degrees

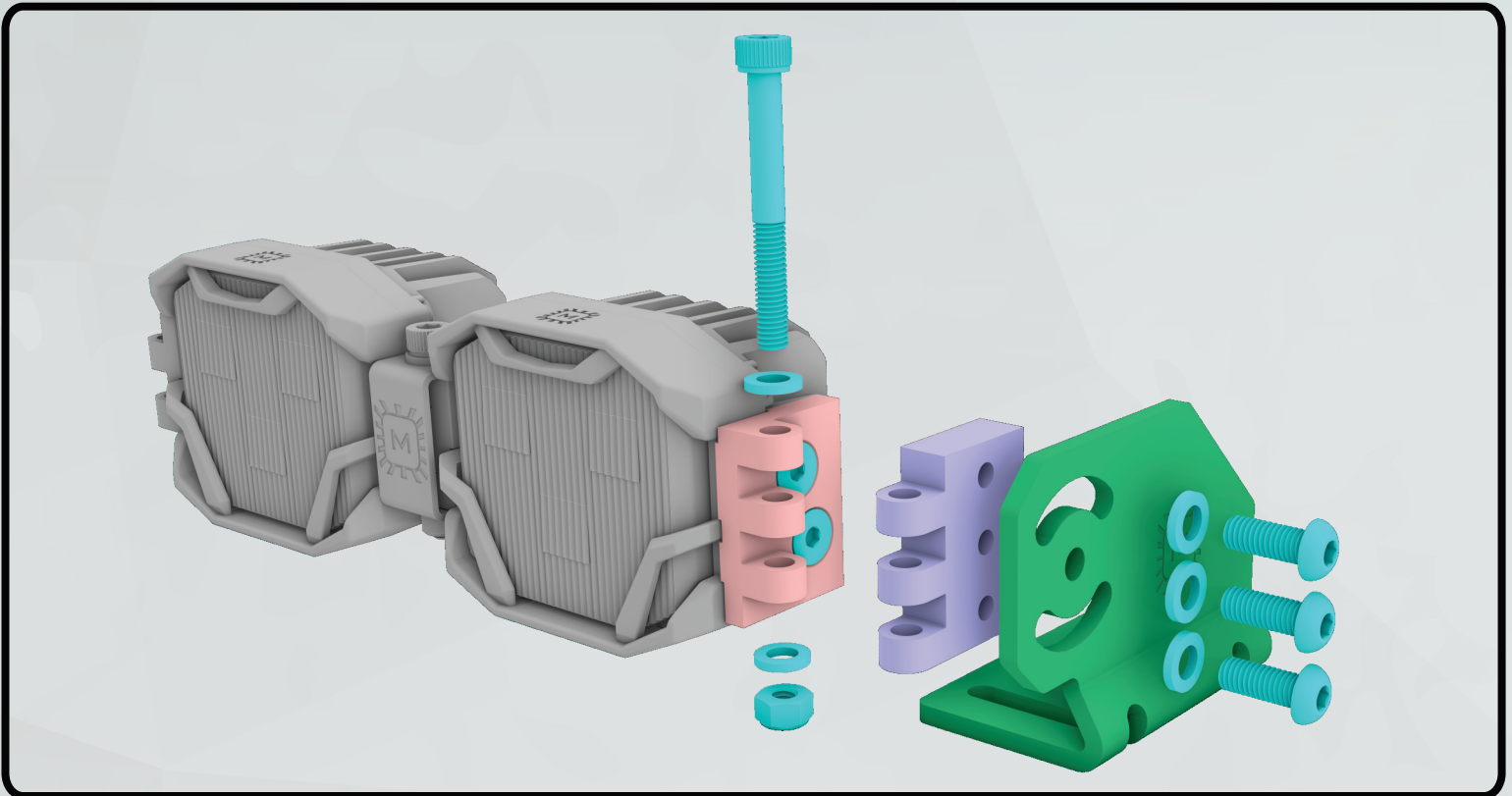


(0 Degrees of curve shown)

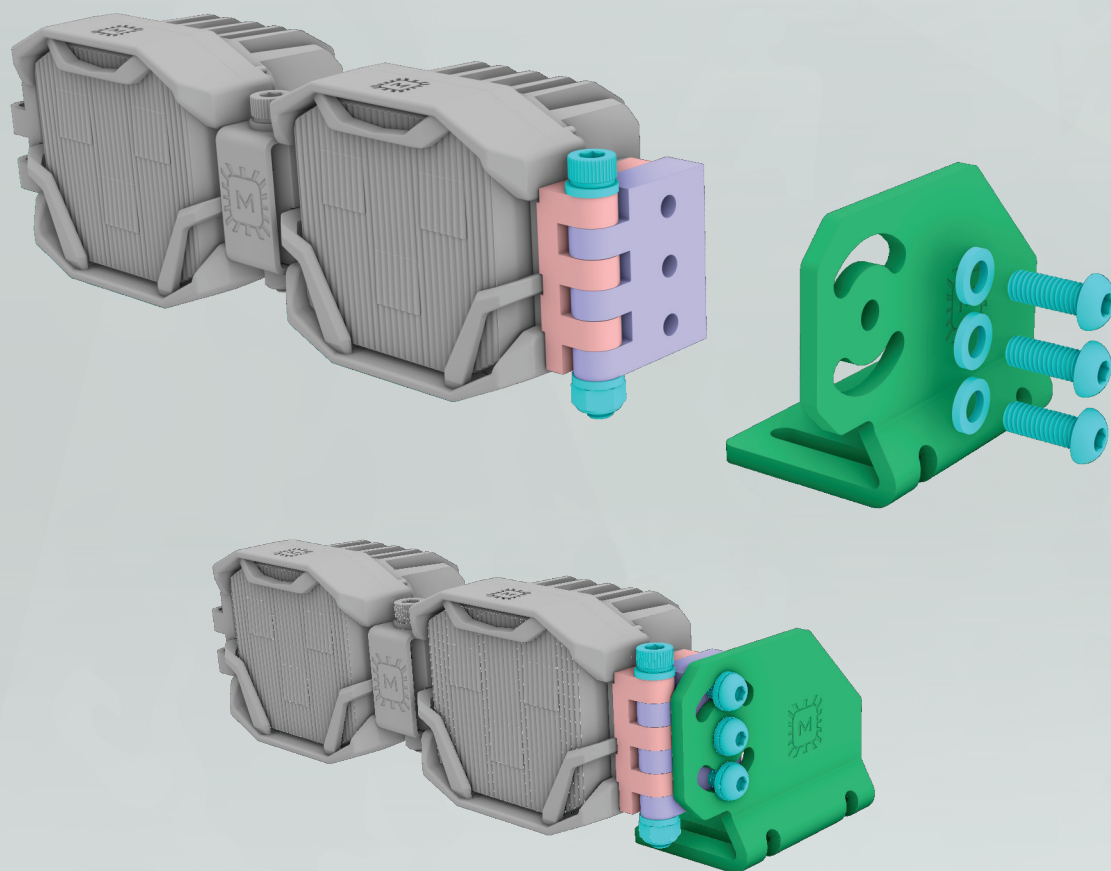
6. At the ends, fit and install the spacers (shown in bright green), the brackets (shown in pink), and the two M6 flathead screws. Tighten screws using a 4mm hex key. NOTE: The bottom screws are 16mm long. The top screws are 10mm long. Do not mix.



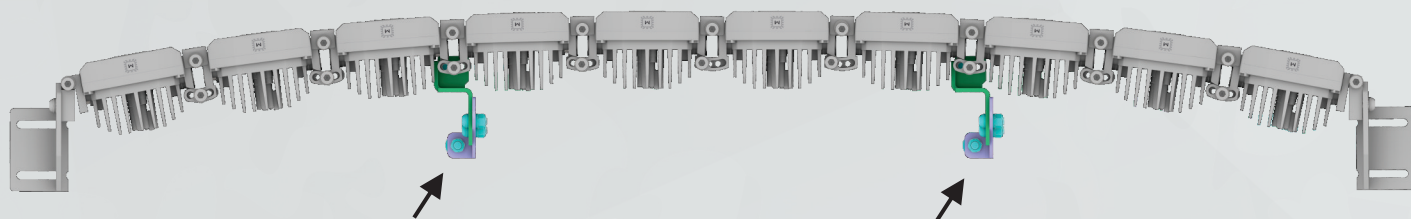
7. Align the swivel bracket (shown in purple) with the bracket attached to the pod. Place an M6 washer on a M6 x 50mm screw and fit through both brackets as shown. Next, add another M6 washer and an M6 lock nut. Do not fully tighten!



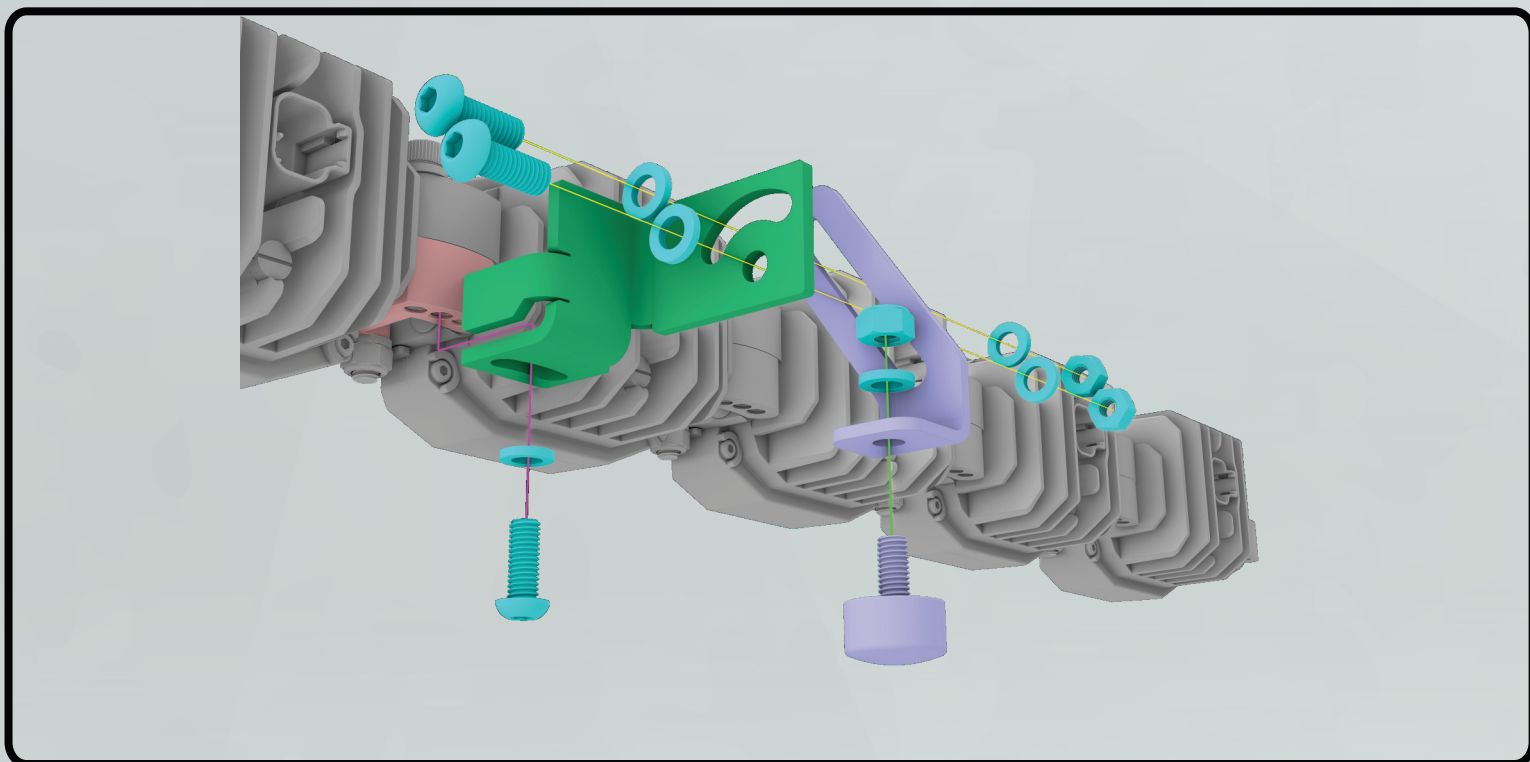
8. Mate the steel mounting bracket to the holes on the swivel bracket. Using a 4mm hex key, fit and tighten three M6 x 14mm screws and washers as shown. Repeat on second bar end. If necessary, the steel brackets can be swapped L/R to increase or decrease the mounting location width.



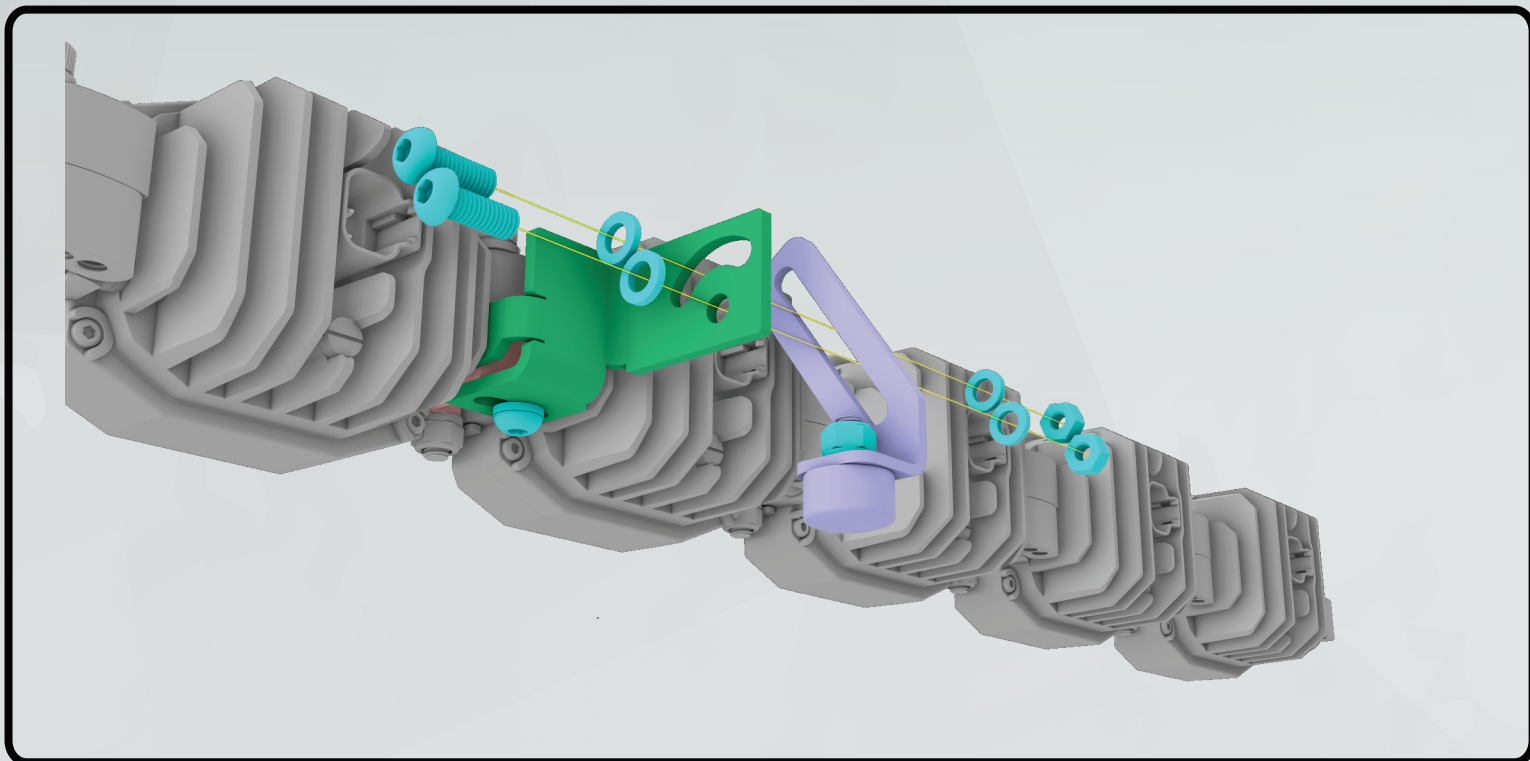
9. Support legs are provided to minimize vibration and movement. We recommend using a support leg every 3-4 brackets. This will help distribute the load more evenly across the assembly.



10. Fit the bracket (shown in green). Fit a M6 x 16mm screw and M6 washer into either unused hole. Tighten with 4mm hex key.



11. Fit the support leg (shown in purple) using two (2x) M6 x 16mm screws, four (4x) M6 washers, and two (2x) M6 lock nut and tighten until snug. This leg can be flipped to ensure the best contact location. Next, attach the rubber bumper using a washer and M6 lock nut. Note: The bumper must be installed so it presses firmly against a solid vehicle surface. Some static preload is desired. Tighten with 4mm hex key and 10mm socket.



12. The end mounts can be mounted to the vehicle using M6 bolts, screws, or existing studs. The slots in the steel brackets allow for the curvature of the bar. If necessary, the steel brackets can be swapped L/R to increase or decrease the mounting location width. Once the bar is installed on the vehicle, extend the support legs as far as possible so that there is some preload on the light bar, then tighten the support leg bracket bolts.



-END-