



BRIGHT IS ONLY THE BEGINNING

# USER MANUAL

## BI-XENON: MINI H1 9.0

PR009



WARNING: IT IS THE INSTALLERS RESPONSIBILITY TO CONFIRM COMPLIANCE WITH STATE AND LOCAL LAWS. BY READING THIS DOCUMENT, YOU AGREE IT IS ONLY TO BE USED AS AN EDUCATIONAL GUIDE. MORIMOTO LIGHTING NOR ITS DEALERS MAKE GUARANTEES ON ANY FINISHED RESULTS, NOR ARE THEY TO BE HELD RESPONSIBLE FOR ANY DAMAGE, MISUSE, OR PERSONAL INJURIES. IF YOU ARE UNABLE TO CLEARLY UNDERSTAND AND ADAPT THE INFORMATION BELOW, PROFESSIONAL INSTALLATION IS RECOMMENDED.

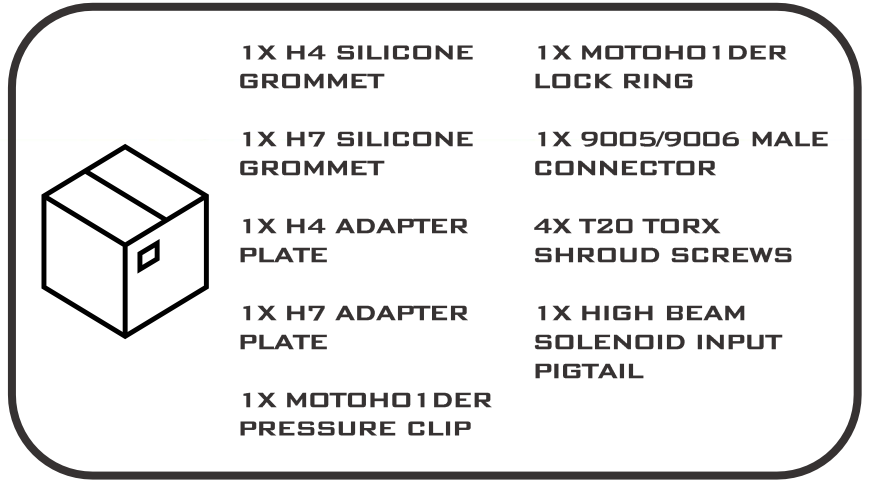
# BI-XENON: MINI H1 9.0

TABLE OF CONTENTS	PAGE
PROJECTOR COMPONENTS -----	3
BULB INSTALLATION -----	4
PROJECTOR INSTALLATION -----	5

## WHAT'S INCLUDED



1X PROJECTOR



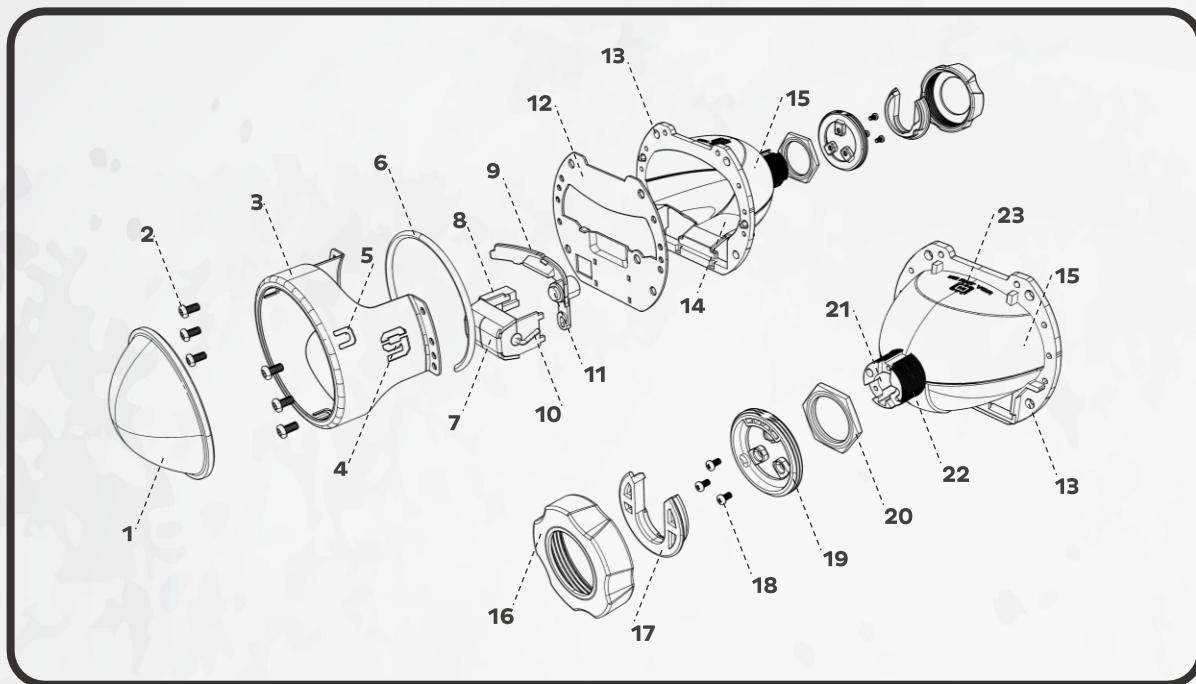
HARDWARE KIT

## REQUIRED TOOLS

- T8 TORX BIT (LENS HOLDER)
- T10 TORX BIT (BULB HOLDER)
- T20 TORX BIT (SHROUD SCREWS)
- 27MM WRENCH (PROJECTOR LOCK NUT)



# PROJECTOR COMPONENTS



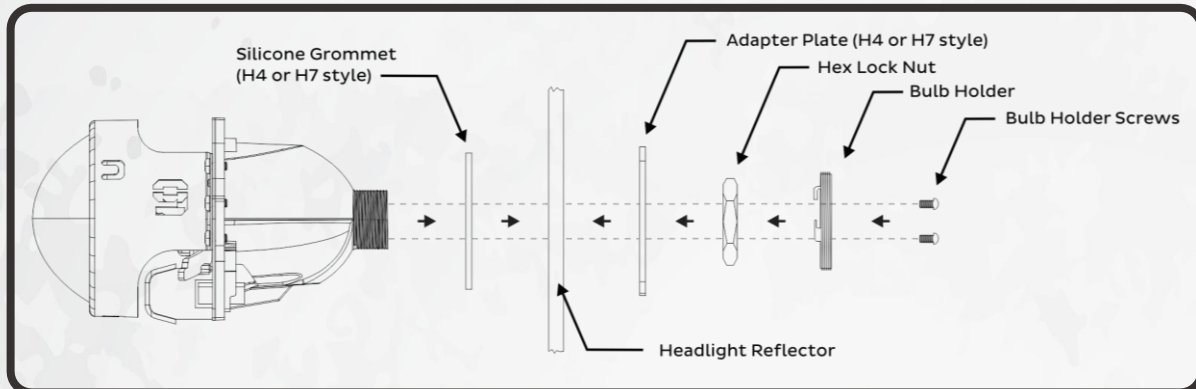
## COMPONENTS LIST

- |   |  |
|---|--|
| 1. KURIA SAPPHIRE-COATED BOROSCILICATE GLASS LENS | 13. MINI H1 7.0 STANDARD BOLT PATTERN                                |
| 2. T10 TORX PAN HEAD LENS HOLDER SCREWS           | 14. DURABLE DEPOSITION FINISH OVER RENEWED OPTICAL REFLECTOR SURFACE |
| 3. STAMPED STAINLESS STEEL LENS HOLDER            | 15. PROJECTOR REFLECTOR BOWL   |
| 4. STAMPED "9" INSIGNIA                           | 16. MOTOH01DER LOCK RING   |
| 5. LENS-RETAINING PRONGS                          | 17. MOTOH01DER BULB PRESSURE CLIP                                    |
| 6. STAINLESS STEEL LENS-RETAINING RING            | 18. T8 TORX PAN HEAD BULB HOLDER SCREWS                              |
| 7. ELECTROMAGNETIC SIDE-PULL HIGH BEAM SOLENOID   | 19. MOTOH01DER BULB HOLDER BASE                                      |
| 8. HIGH BEAM SOLENOID INPUT CONNECTOR             | 20. ANODIZED 27MM PROJECTOR LOCK NUT                                 |
| 9. DIE-CAST VOR CUTOFF SHIELD                     | 21. BULB MOUNT RECEPTICAL  |
| 10. SOLENOID PLUNGER ARM                          | 22. THREADED MOUNTING SHAFT  |
| 11. LOW-FRICTION BRASS PIVOT POINT                | 23. LASER-ENGRAVED MORIMOTO LOGO                                     |
| 12. SOLENOID/CUTOFF SHIELD CENTER PLATE           |  |

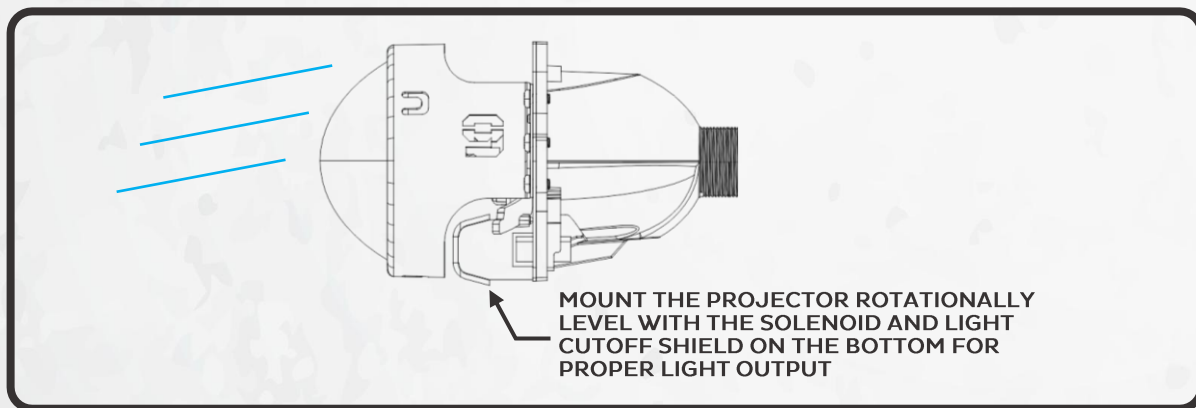


# PROJECTOR INSTALLATION

## PROJECTOR SHAFT-MOUNT INSTALLATION

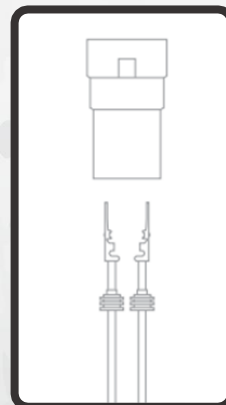


## PROJECTOR ROTATION



## HIGH BEAM WIRING

**CONNECT THE HIGH BEAM TRIGGER WIRE TO THE CONNECTOR ON THE HIGH BEAM SOLENOID. ONCE THE PROJECTOR IS INSTALLED, INSERT THE PINS INTO THE PROVIDED 9005/9006 CONNECTOR. THE SOLENOID IS NOT POLARITY SPECIFIC**



# BULB INSTALLATION

**WARNING: HID BULBS GET HOT DURING USE. ALWAYS LET BULBS COOL AFTER USE BEFORE REMOVING/INSTALLING**



1. FIT THE MOTOHOLDER LOCK-RING OVER THE BULB



2. INSERT THE BULB INTO THE PROJECTOR WITH THE GROUND WIRE FACING DOWNWARD (6 O'CLOCK POSITION)



3. FIT THE MOTOHOLDER PRESSURE CLIP OVER THE BACK OF THE BASE OF THE BULB. MAKE SURE THAT THE BULB AND CLIP ARE FULLY INSERTED INTO THE HOLDER BASE



4. THREAD THE MOTOHOLDER LOCK-RING ONTO THE BULB HOLDER AND TIGHTEN IT UNTIL HAND-TIGHT

