



THE AUTOMOTIVE LIGHTING BENCHMARK

# INSTALL GUIDE

## 1 BANGER REPLACEMENT LENSES



### PACKAGE CONTENTS



1X REPLACEMENT LENS

### REQUIRED TOOLS

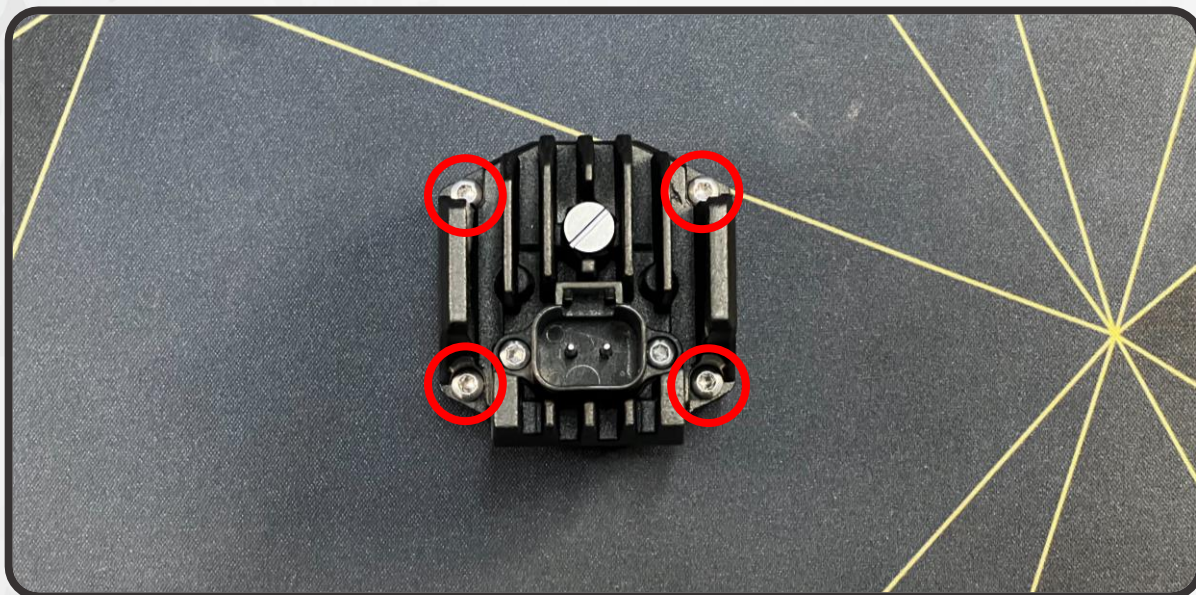
- T10 TORX BIT
- RATCHET
- BLUE THREAD LOCKER (RECOMMENDED)

WARNING: IT IS THE INSTALLERS RESPONSIBILITY TO CONFIRM COMPLIANCE WITH STATE AND LOCAL LAWS. BY READING THIS DOCUMENT, YOU AGREE IT IS ONLY TO BE USED AS AN EDUCATIONAL GUIDE. MORIMOTO LIGHTING NOR ITS DEALERS MAKE GUARANTEES ON ANY FINISHED RESULTS, NOR ARE THEY TO BE HELD RESPONSIBLE FOR ANY DAMAGE, MISUSE, OR PERSONAL INJURIES. IF YOU ARE UNABLE TO CLEARLY UNDERSTAND AND ADAPT THE INFORMATION BELOW, PROFESSIONAL INSTALLATION IS RECOMMENDED.

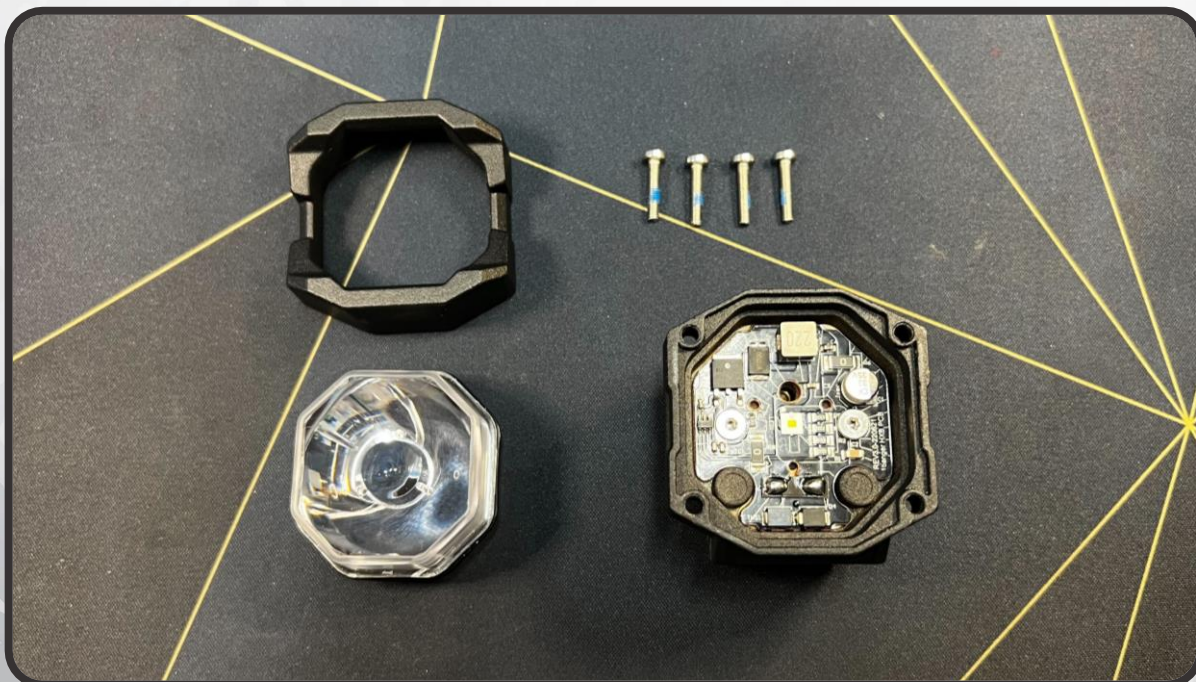


## DISASSEMBLY

1. START WITH YOUR 1BANGER FACE DOWN. USING A WORK MAT OR TOWEL IS RECOMMENDED TO PREVENT SCRATCHING YOUR LENSES
2. USING A T10, REMOVE THE 4 SCREWS SECURING THE LENS HOLDER TO THE HOUSING



3. FLIP THE POD OVER AND REMOVE THE LENS HOLDER AND LENS

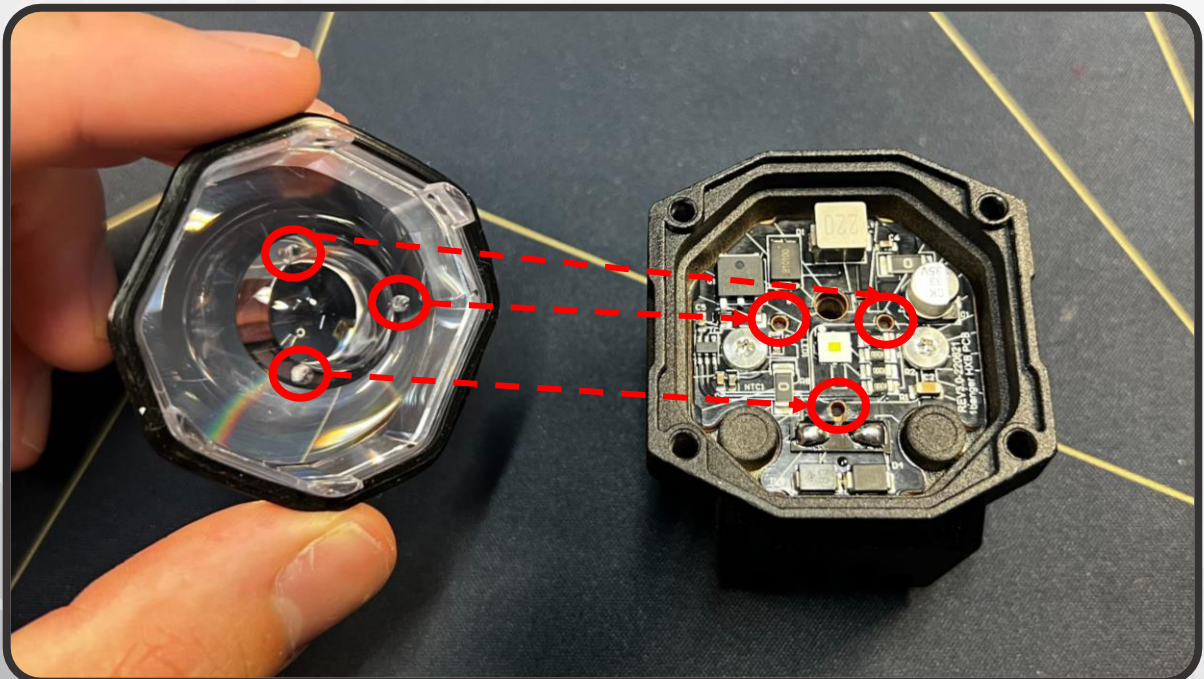


# INSTALLATION

4. TRANSFER THE BLACK RUBBER GASKET OVER TO THE NEW LENS AS SHOWN BELOW. MAKE SURE THE ENTIRE GASKET IS FLAT AGAINST THE LIP OF THE LENS

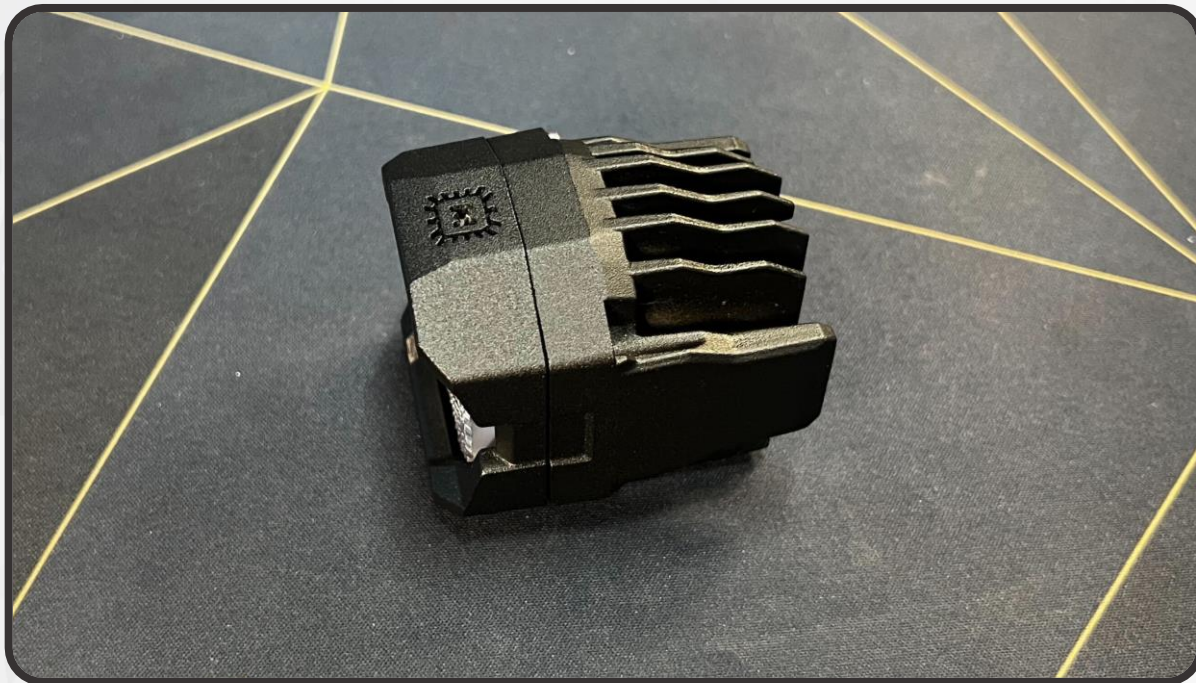


5. INSTALL THE LENS ONTO THE POD. ALIGN THE LOCATOR PINS ON THE LENS WITH THE CORRESPONDING HOLES ON THE POD'S PCB. MAKE SURE THAT AS YOU PRESS THE LENS DOWN, THE GASKET DOES NOT GET FOLDED OR PINCHED



## REASSEMBLY

6. FIT THE LENS HOLDER OVER THE LENS, ONTO THE POD. THE MORIMOTO LOGO SHOULD BE AT THE TOP AS SHOWN BELOW. THE HOLDER SHOULD FIT SNUGLY AGAINST THE BODY OF THE POD



7. FLIP THE POD BACK OVER ONTO ITS FACE. WE RECOMMEND TAKING THIS TIME TO ADD A DROP OF THREAD LOCKER TO THE THREADS OF EACH OF THE SCREWS. REINSTALL THE 4 SCREWS INTO THE POD AND TIGHTEN THEM DOWN IN A STAR PATTERN UNTIL HAND TIGHT

