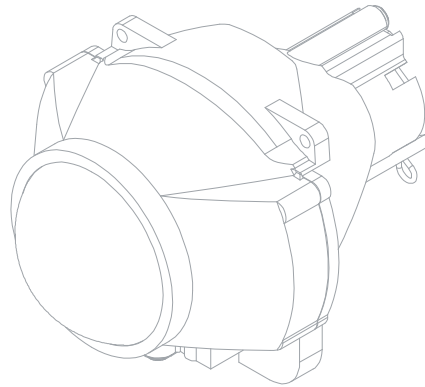
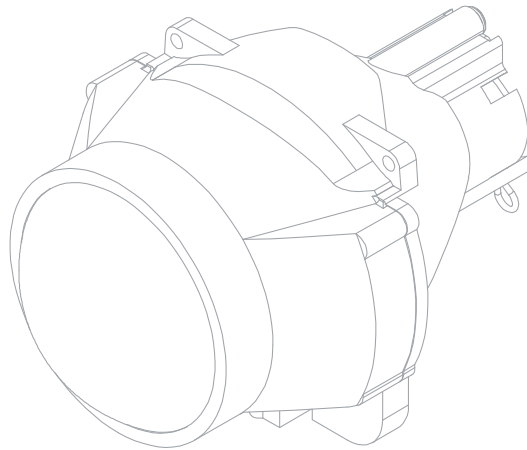




THE AUTOMOTIVE LIGHTING BENCHMARK



2.5" LENS
PART #:
47822
47823



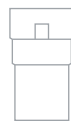
3.0" LENS
PART #:
47824
47825

INSTALLATION GUIDE

FX-R 3.0



A: 2x



B: 1x

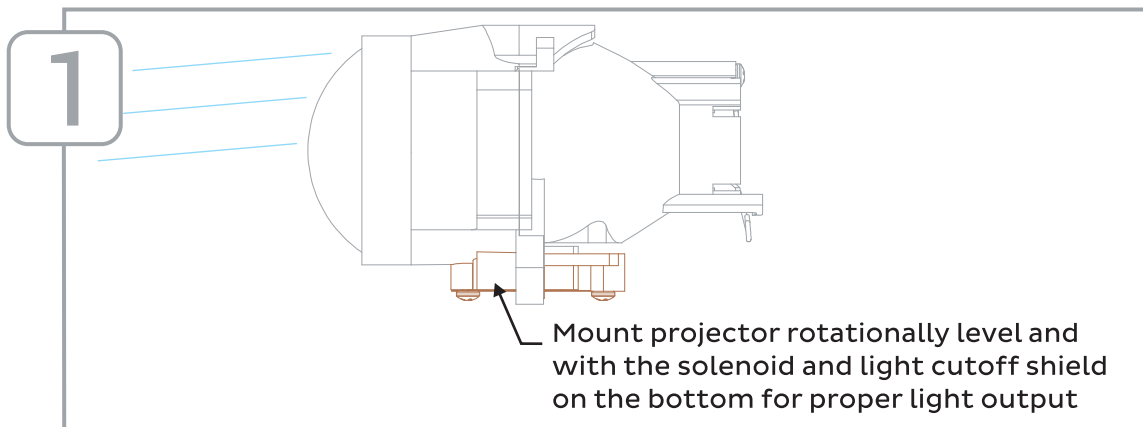


WARNING: By reading this document, I agree it is only to be used as an educational guide. Morimoto Lighting makes no guarantee on any finished results, nor are they to be held responsible for any damage, misuse, or personal injuries. Use at your own risk. If you are unable to clearly understand and adapt the information below to your own application, professional installation is recommended.

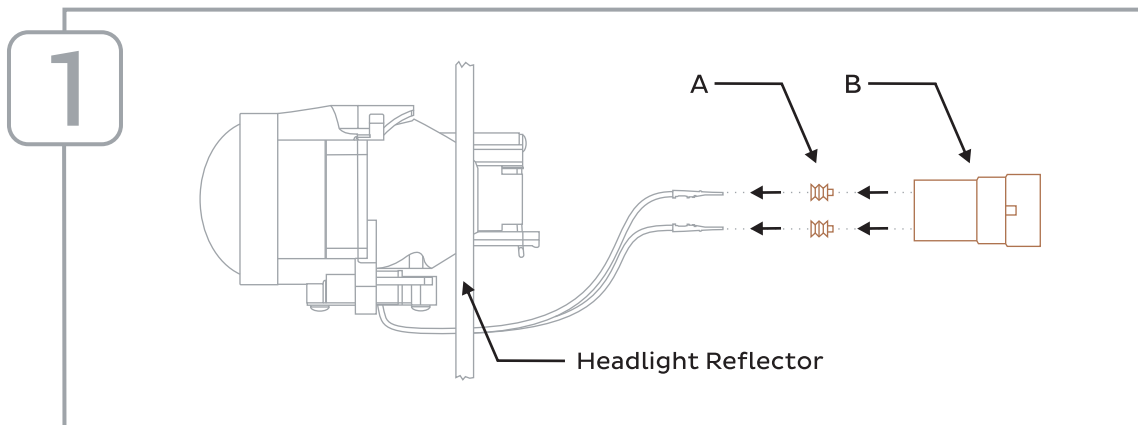


PROFESSIONAL INSTALLATION RECOMMENDED

SPECIAL INSTALLATION NOTE



SCHEMATIC



-END-