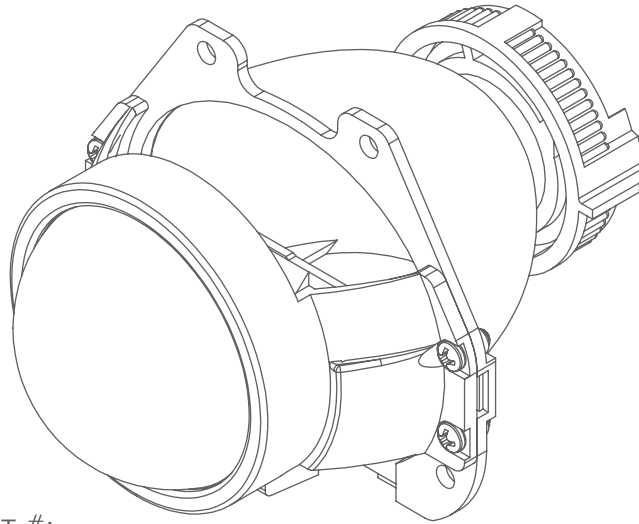




THE AUTOMOTIVE LIGHTING BENCHMARK



PART #:
PR120

INSTALLATION GUIDE

4TL-R



WARNING: By reading this document, I agree it is only to be used as an educational guide. Morimoto Lighting makes no guarantee on any finished results, nor are they to be held responsible for any damage, misuse, or personal injuries. Use at your own risk. If you are unable to clearly understand and adapt the information below to your own application, professional installation is recommended.



PROFESSIONAL INSTALLATION RECOMMENDED

HARDWARE CONTENTS



1x Solenoid Pigtail

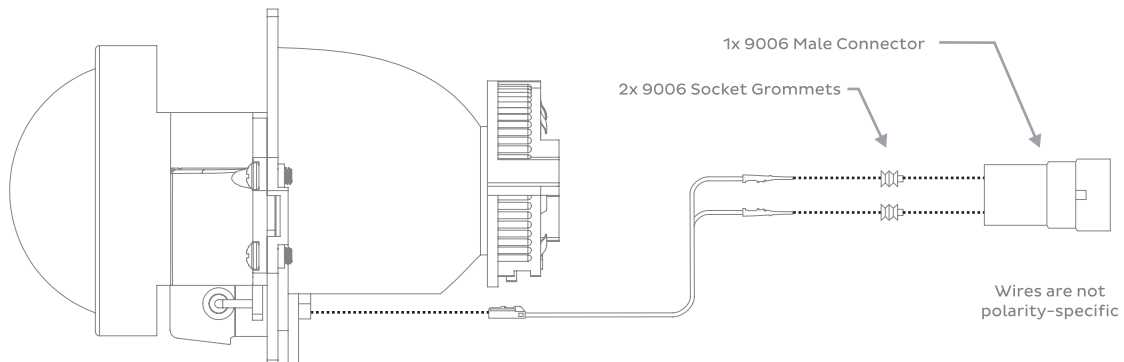


1x 9006 Male Connector

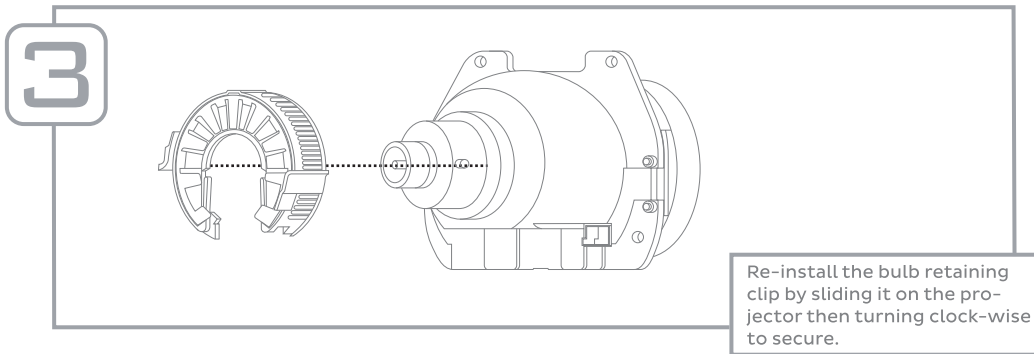
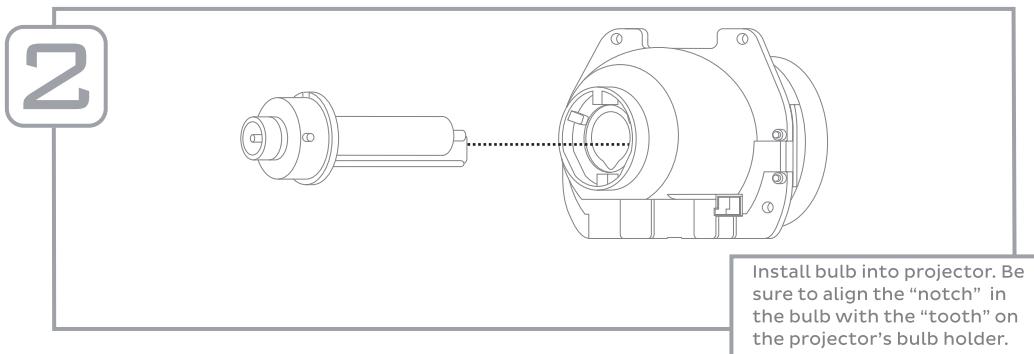
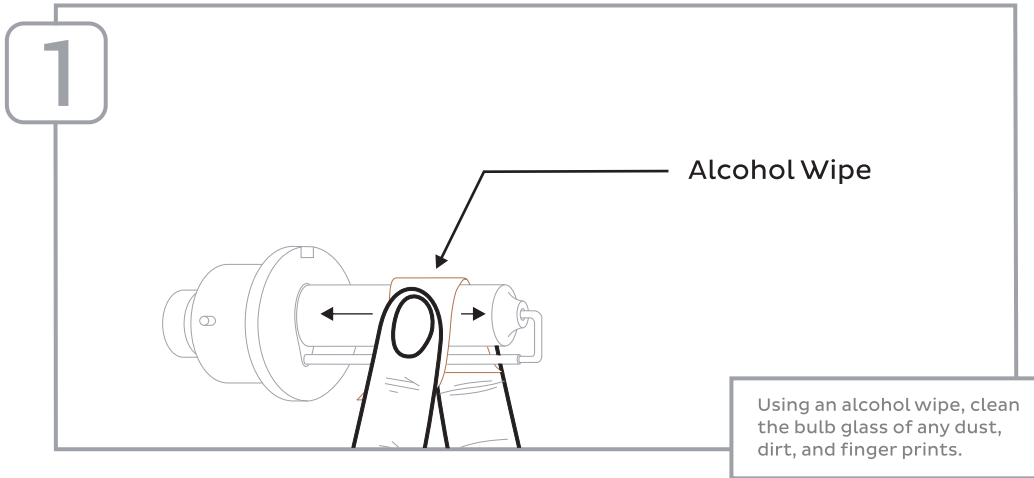


2x 9006 Socket Grommets

SOLENOID WIRING SCHEMATIC



BULB INSTALL SCHEMATIC



-END-